

# **DiCTOOLS**

Quality Tooling Solutions

## **DEDICATED IMPEX CO.**

[www.dictoolsindia.com](http://www.dictoolsindia.com)





# COMPANY INTRODUCTION

Established in the Year 2012, DIC TOOLS is a Supplier and Exporter of a wide range of Cutting Tools which includes;

- HSS Cutting Tools
- Machine Knives & Blades
- Brazed Carbide Cutting Tools
- Bevel Gear Cutting Tools
- Annular Cutters
- PCD and CBN Tools
- Wood Cutting Tools
- HSS Tool Bits and Punches
- CNC Tool Holders
- Solid Carbide Cutting Tools
- Gear Cutting Tools
- Gun Drills
- Indexable Cutting Tools
- HSS Broaches
- Rotary Burrs
- Gauges
- Threading Taps & Dies
- Carbon Threading Taps

## Quality Assurance

Our testing equipment and professional technical staff could provide a high-quality product and let consumers buy quality cutting tools at best prices.

## Customer Satisfaction

We believe in building robust and long-lasting connections with our recognized clients worldwide by providing the best value for money.

***“We are committed to total customer satisfaction”***

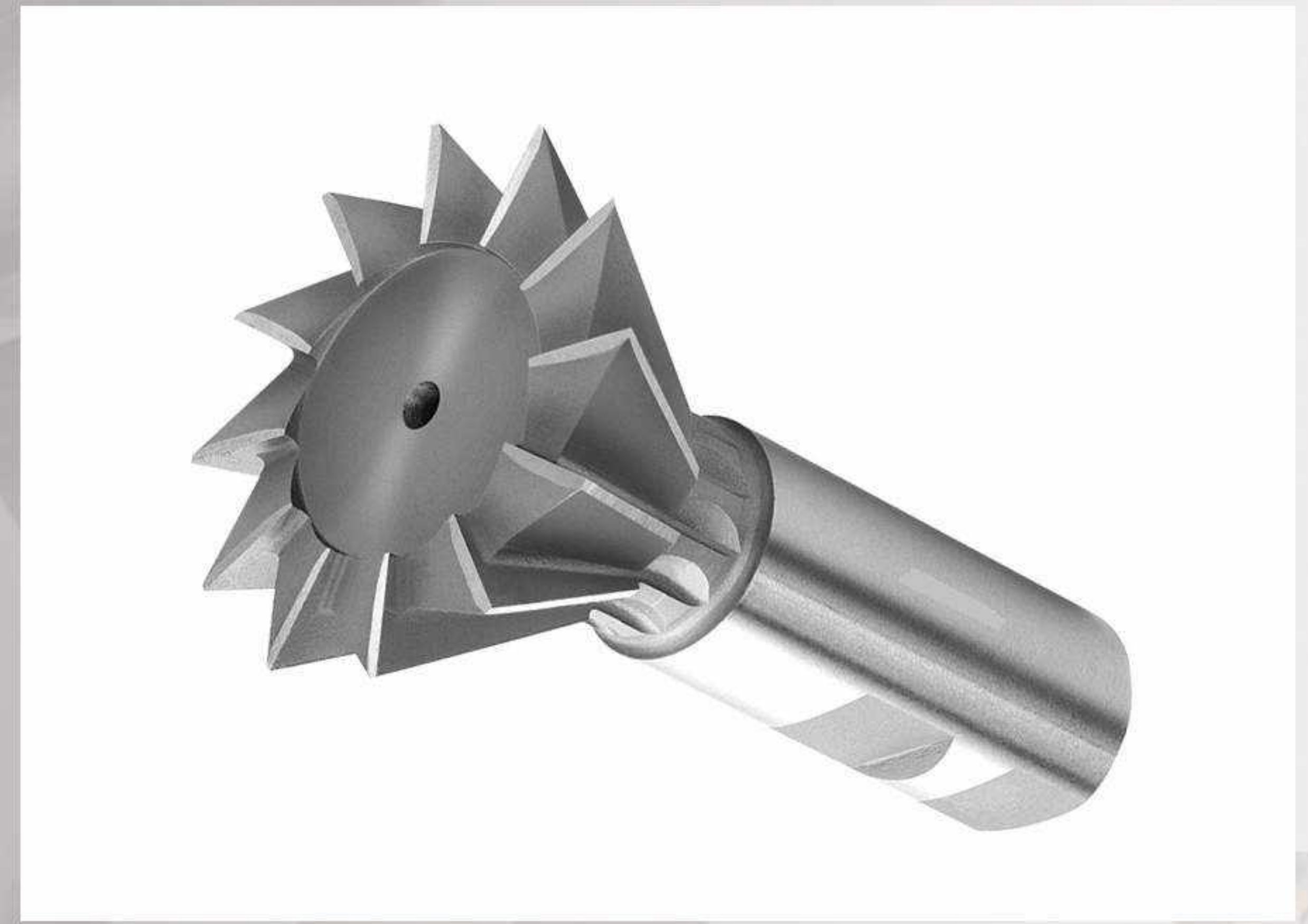


# HSS CUTTING TOOLS

DIC TOOLS provides a complete range of HSS Cutting Tools, including End Mills, Milling Cutters, Reamers, Drills, and Slitting Saws, other tools are also available per customer requirements. HSS cutting tools have a long life due to their excellent hardness and toughness, and they consume less power when compared to other cutting tools.



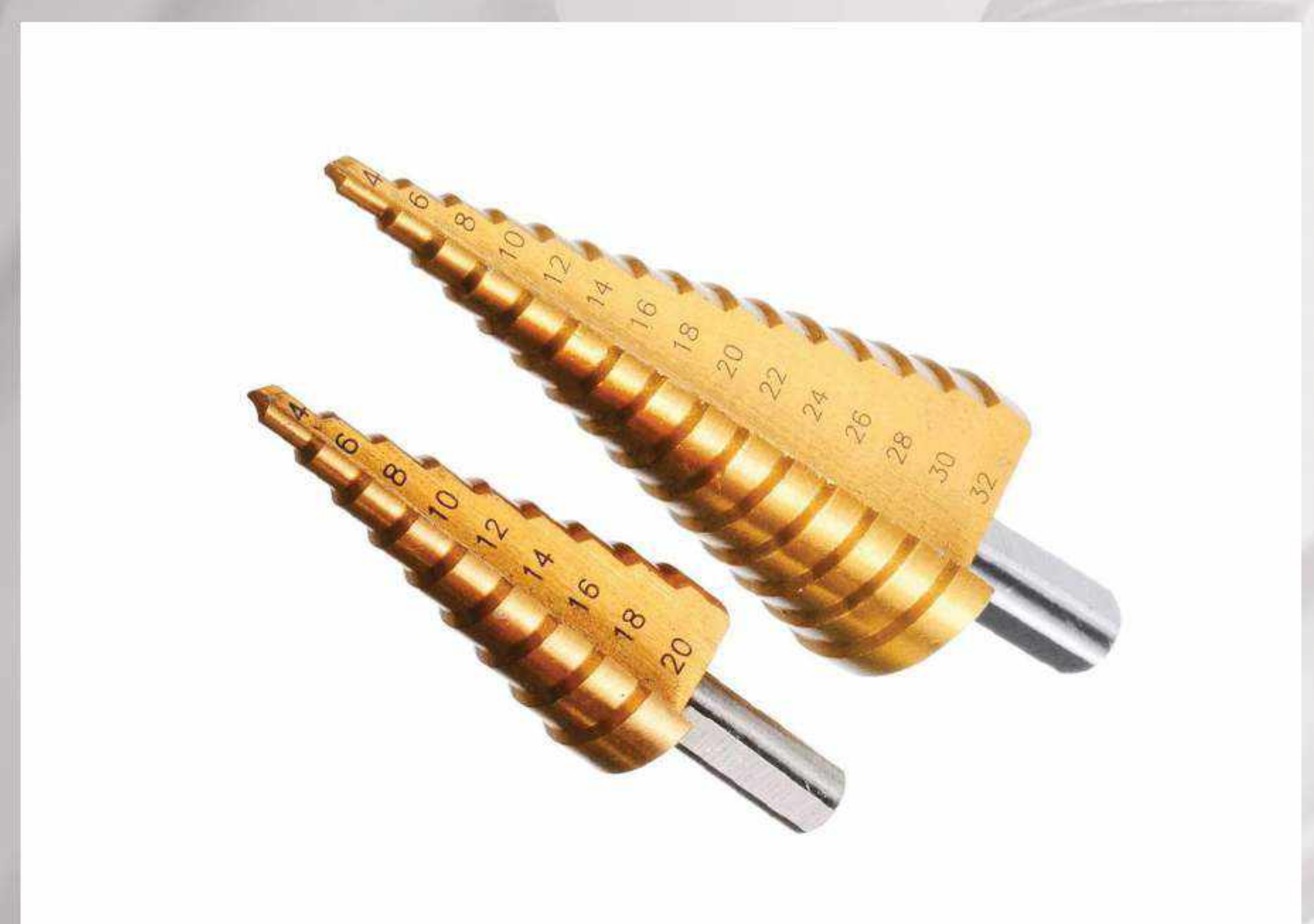
HSS End Mills



HSS Milling Cutters



HSS Reamers



HSS Drills



HSS Slitting Saws



Other HSS Tools



# SOLID CARBIDE CUTTING TOOLS

According to the application, solid carbide cutting tools come in a variety of shapes, geometries, sizes, lengths, step diameters, etc. All our products are manufactured at our well-equipped manufacturing unit, using the finest quality raw material and cutting-edge technology under the guidance of our skilled professionals.



Solid Carbide End Mills



Solid Carbide Drills



Solid Carbide Spiral Router Bits



Other Solid Carbide Tools



# MACHINE KNIVES AND BLADES

Our Manufacturing experience permits us to offer a wide range of knives, to the pulp and paper industry. Apart from standard sizes, customized sizes are also available. Our mission is to improve your production levels by providing you with high-performance & long-lasting industrial machine knives & blades that maximize the life of cutting machinery.



Pulp and Paper Industry



Printing Graphic Industry



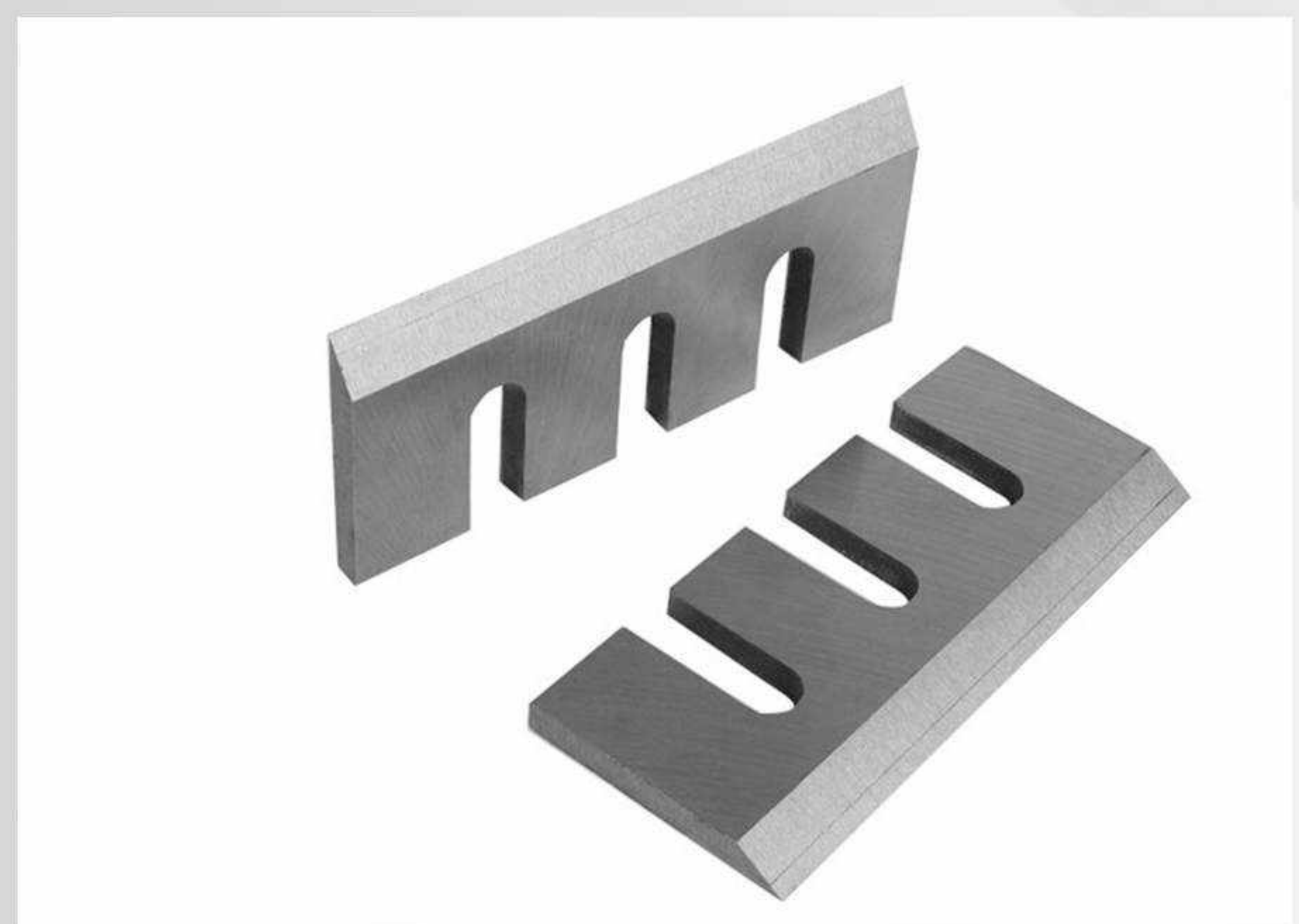
Pipe Tube Forming



Metal Engineering Fabricating



Cold Rolling Steel Processing



Wood Industry



# GEAR CUTTING TOOLS

Our Purpose is to offer precision gear-cutting tools with optimum solutions to our worldwide customers. We provide all types of material and size ranges based on the customer's specific drawings and sizes. Our tools are made from high-quality raw materials, ensuring world-class quality and the best performance.



HSS Gear Hob Cutters



Carbide Hob Cutters



Gear Shaper Cutter



Gear Shaving Cutter



# BRAZED CARBIDE CUTTING TOOLS

We have various kinds of Brazed Carbide Cutting Tools, including End Mills, Reamers, Chamfering Cutters, etc. These tools are made with cutting-edge technology and are highly in demand due to their best cutting utility. All brazed carbide tools can also be coated to extend tool life in various materials. Brazed Carbide Tools are more durable than other tools because they can withstand higher temperatures.



Brazed Carbide End Mill Cutting Tools



Brazed Carbide Reamer



Brazed Carbide Chamfering Cutters



Other Brazed Carbide Cutting Tools



# GUN DRILLS

Gun Drilling is a deep hole drilling process that uses a long, thin cutting tool to produce holes in metal at high depth-to-diameter ratios. These are very rigid and, therefore, able to achieve high feed rates and high accuracy. These tools can be designed with special end forms to meet your custom requirements. Additionally, based on the application, special coatings are chosen to enhance overall tool performance. DIC Gun Drills are available with coolant-thru holes for high-pressure coolant.



Gun Drills



Indexable Inserted Gun Drills



Solid Carbide Gun Drills



BTA Drill Heads



U Drills

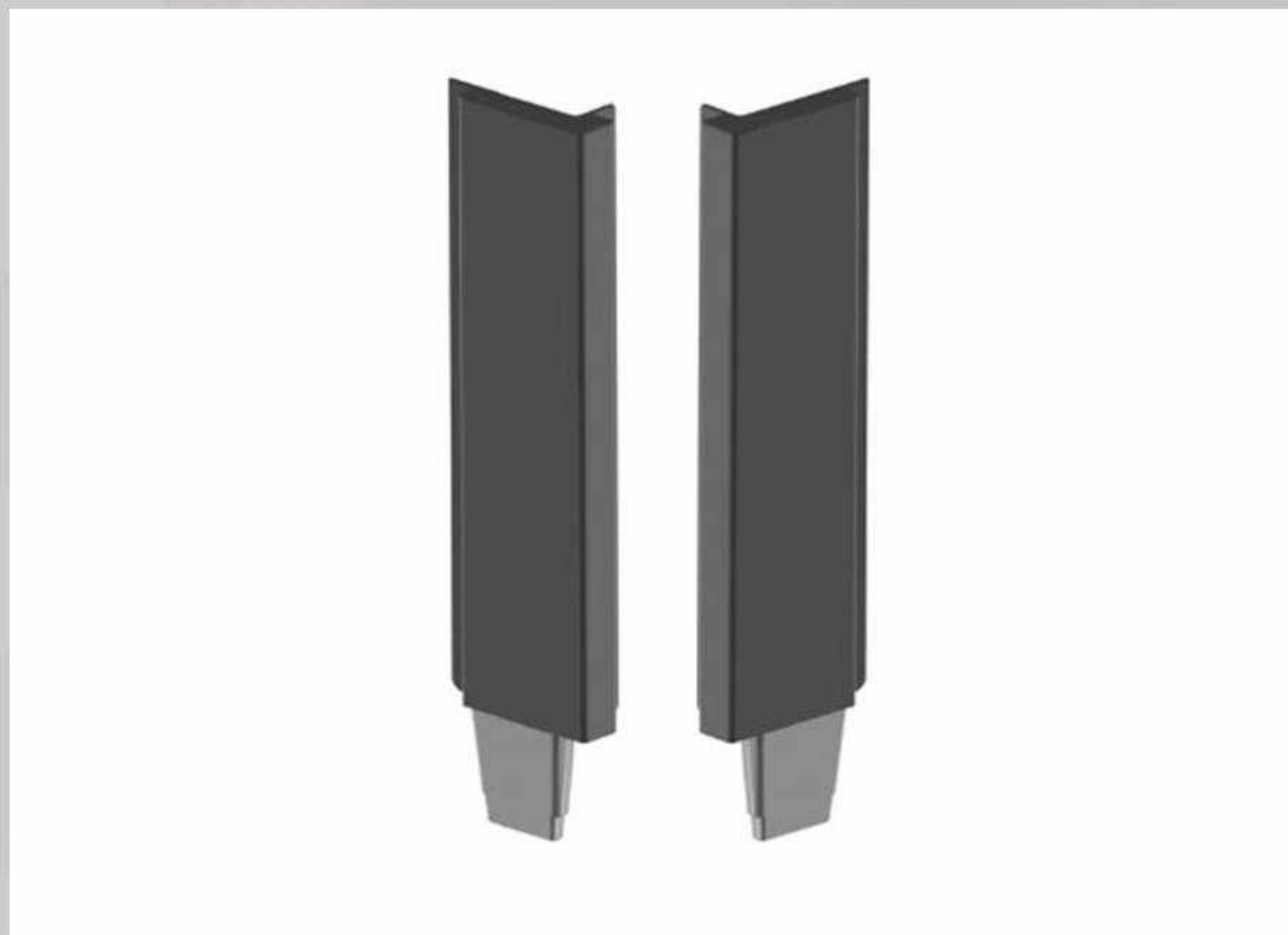


Single Fluted Gun Drills



# BEVEL GEAR CUTTING TOOLS

DIC has a comprehensive range of Bevel Gears Cutting Tools with spiral or straight teeth. Our range includes Konvoid Blades, Coniflex Blades, Crown Wheel Finishing Blades, Kurvex Type Blades, Curvic Coupling Blades, Spiromatic Blades, and Pinion & Crown – Wheel Roughing Blades.



Konvoid Blades



Crown Wheel Finishing Blades



Kurvex Type Blades



Curvic Coupling Blades

These are toothed rotating tools designed to help transfer shaft power between two intersecting shafts (perpendicularly or at an angle). With Bevel Gears, you can optimize efficiency to as high as 98%.



# INDEXABLE CUTTING TOOLS

We are a Supplier and Exporter of Indexable Cutting Tools in various series, i.e., Hole-making series, Milling Cutters series, etc. We supply all Indexable tools in different standard and non-standard profiles. These are used on milling machines, lathes, or turning machines to remove material in milling, hole-making, threading, boring, parting, grooving, and turning operations.



Indexable Hole Making Series



Indexable Milling Cutter Series



Thread Milling Cutter



Spade Drill



# ANNULAR CUTTERS

Annular Cutter is a specialized bit for drilling through metal. Like a hole saw for wood, an annular cutter only cuts the outside edge of a hole. It produces accurate burr-free holes to close tolerances without pre-drilling or step drilling. DIC Annular Cutters are composed of two types: High Speed Steel Annular Cutters (HSS) and Tungsten Carbide Tipped Annular Cutter (TCT).



TCT Annular Cutters



HSS Rail Cutters



HSS Annular Cutters



TiN Coated HSS Annular Cutters



Annular Cutters Sets



TCT Annular Cutter with Fein Shank



# HSS BROACHES

DIC TOOLS offers a complete range of HSS Broaches for various technical requirements. A broaching tool is a cutting tool used to cut a specific shape or remove a particular area from the workpiece. HSS Broaches are classified as multiple-point cutting tools, having two or more cutting edges. The design of broaching tool will depend on the material, shape, and quantities of the component that are to be broached. Every broach we provide has a smooth finish, precise design, and high strength.



HSS Broaches



Keyway Broaches



Flat Broaches



Carbide Broaches

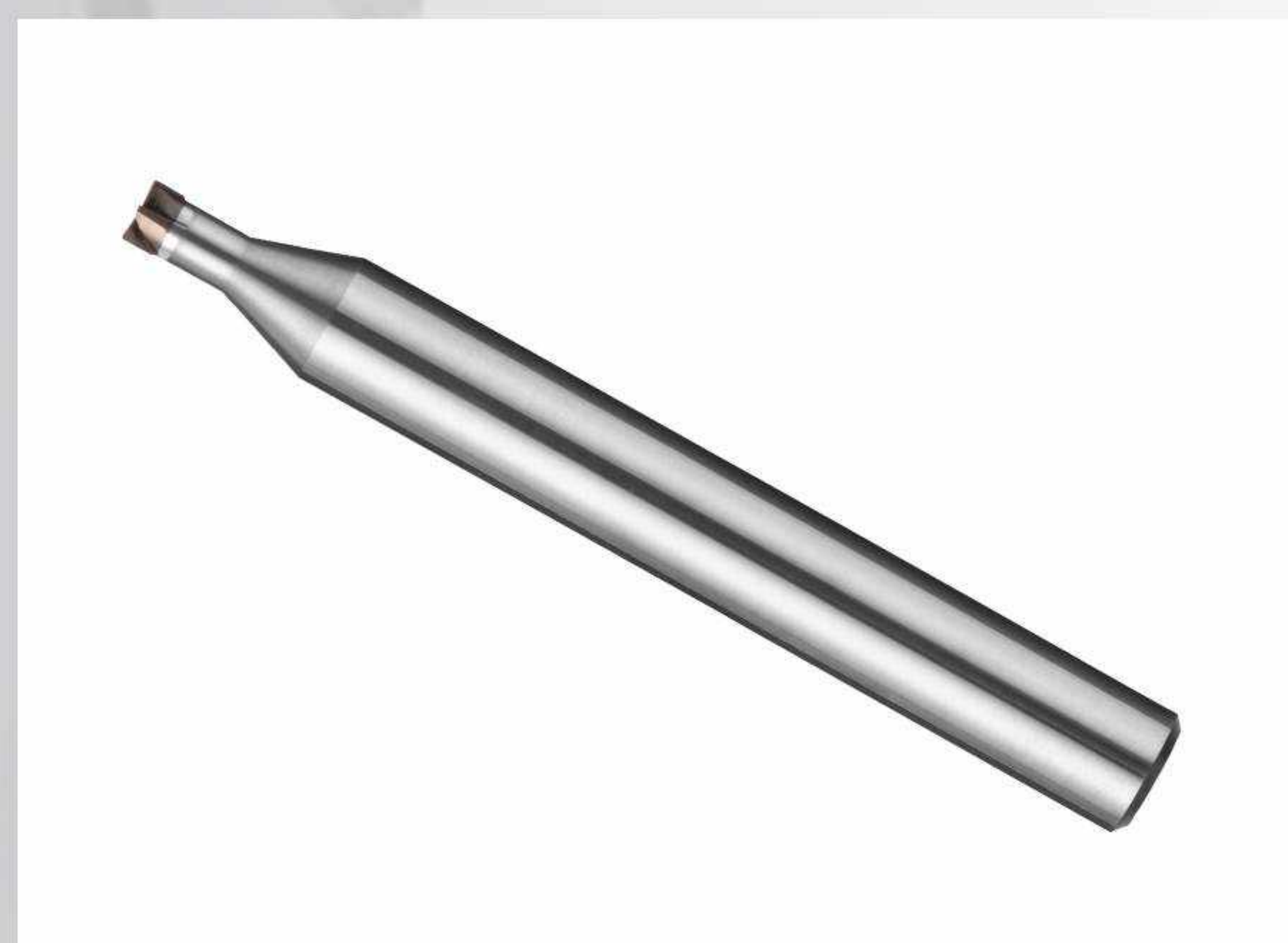


# PCD AND CBN TOOLS

We are leading Suppliers of all kinds of PCD and CBN Tools in India widely used in automobile industries for various applications. We have various PCD tools which includes reamers, drills, end mills, inserts etc. These all tools are available in any customized sizes as per your specific needs.



PCD/ CBN Reamers



CBN END MILLS



PCD Drills



PCD Inserts



# ROTARY BURRS

Rotary Burrs are high-quality carbide deburring tools with cross-cutting for universal applications. Apart from that, this tool is also functional in removing excess materials, also known as deburring. We have various kinds of Rotary Burrs made from high-quality selective raw material. DIC Rotary Burrs are available in Standard and non-standard sizes as required by customers. These tools give a smooth surface finish by removing sharp edges and excess material through the deburring process.



Cylindrical Burrs with end cut



Ball Shape Rotary Burrs



Long Shank Rotary Burrs



Rotary Burrs set



60° Cone Shape Rotary Burrs



Flame Shape Rotary Burrs



# WOOD CUTTING TOOLS

You can find all types of wood cutting tools at DIC to complete your simple to complex needs. Our Range of Wood Cutting Tools includes Router Bits, TCT Circular Saw Blades, TCT Cutters, and Hole Saws. We have a complete selection of sizes to achieve your desired results.



Router Bits



TCT Circular Saw Blade



TCT Cutters



Hole Saw

Every bit goes under strict quality tests to guarantee perfect cutting tolerance and balance. We can also customize Wood Cutting Tools as per customer requirement or drawing.



We are Exporters of Gauges in India, available in various types, including Spline gauges, thread ring, plug gauges, involute spline ring gauges, go and no go gauges, taper plug gauges, in all kinds of materials and sizes as required by customers. The gauges are firm-design inspection tools without a scale, which serve to check the dimensions of manufactured parts. Specific types of gauges are used to measure each parameter.



Thread Ring Gauges



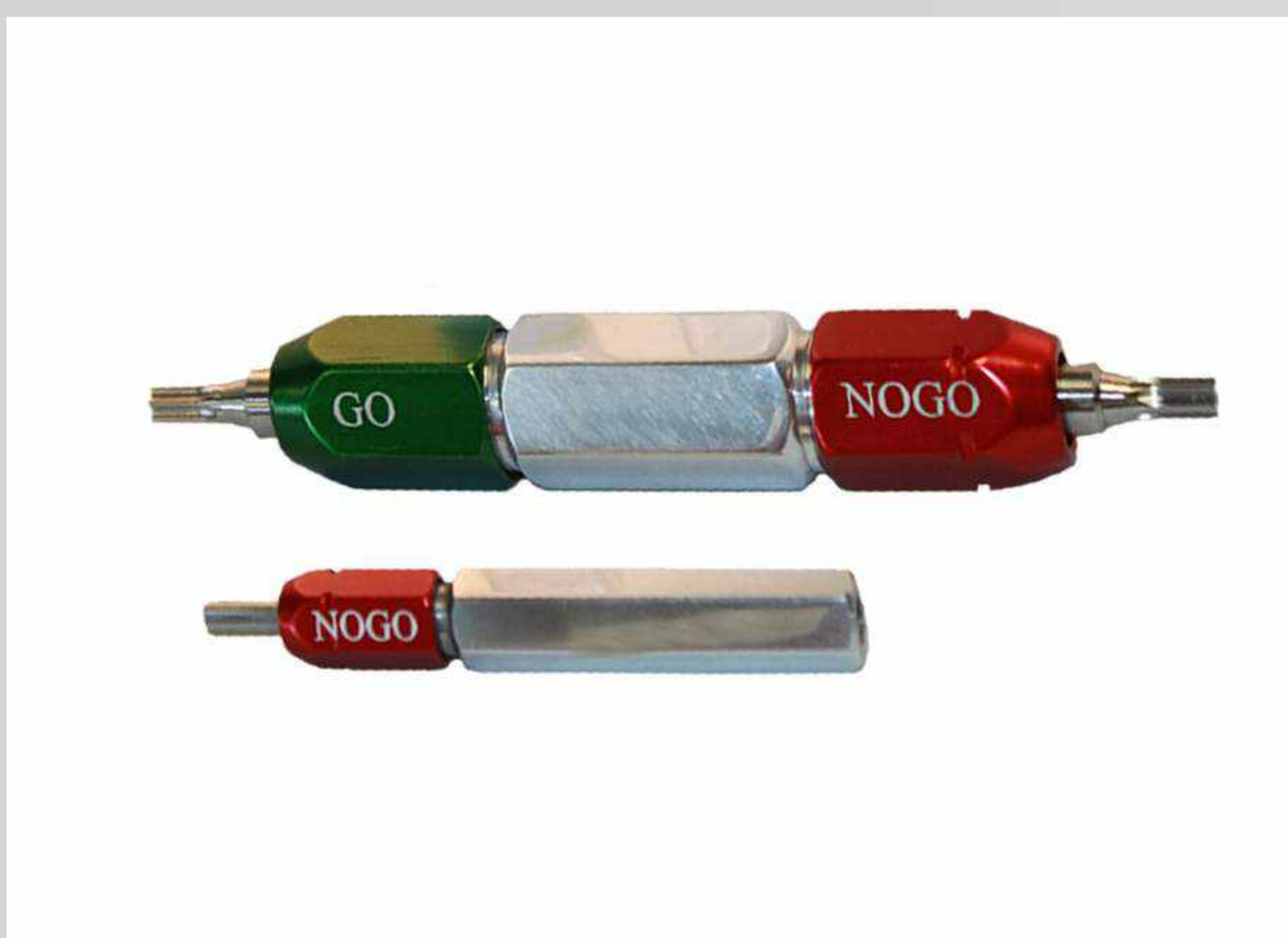
Thread Gauges



Screw Plug Gauges



Carbide Plug Gauges



Go and No Go Gauges



Plug Gauges



# HSS TOOL BITS AND PUNCHES

DIC High Speed Tool Bits (HSS Tool Bits) are available in various shapes and sizes for specific machining operations. HSS Tool Bits are used in power-saw blades and drill bits. Various forms of Tool Bits are supplied by us, which include: Round tool bits, Rectangular Tool Bits, Flat Tool Bits, Square Tool Bits, parting tool bits, etc. The hardness of each HSS Tool Bit is tested to match quality standards. Available in standard and non-standard sizes and lengths as required by customers.



HSS Round Tool Bits



HSS Square Tool Bits



HSS Parting Tool Bits



HSS Punches



Carbide Punches



Special Punches



# THREADING TAPS AND DIES

DIC TOOLS provides a comprehensive line of Threading Tools which includes Threading Taps, Carbon Threading Taps, & Threading Dies. All taps and dies are made from superior-quality raw materials for efficient performance. Threading tools are also known by other names, such as threading taps and dies. These tools are used for making a thread on the workpiece. Dies are used to make external threads on a rod, creating a threaded surface that allows a bolt to be fastened to it.



HSS Threading Tap



Machine Tap



Carbide Threading Tap



Special Threading Tap



Threading Dies



Carbide Threading Dies



# CNC TOOL HOLDERS

DIC is a supplier and exporter of CNC Tool Holders, specially designed to securely hold a cutting tool in a precise location. The Cutting Tool is mounted into the holder and is tightened, so it does not move or vibrate during machining. Customization is also available as per customer requirements.



Collets



Side lock Holders



Boring Head Set



Split Sleeve



Stub Milling Arbors



Revolving Centre



# CARBON THREADING TAPS

Carbon Threading Taps are supplied by us, specially designed for general-purpose hand-tapping operations. Carbon steel taps are used for repairing threads and occasionally creating new threads in maintenance operations. It is the most effective threading tap available in individuals and sets. Our Threading Tools feature excellent tool life and are the industry standard for high-volume production environments. Customization is also available.



Carbon Threading Tap



Carbon Steel Fractional Taps



Carbon Steel Hand Taps



Carbon Steel Straight Flute Taps



Carbon Steel Tap Set



# CUSTOMER SEGMENTS

**DiCTOOLS**

Quality Tooling Solutions

**Agricultural Equipment**

**Cars/ Auto Mobile**

**Engineering Vehicles**

**Commercial Vehicles**

**Construction Equipment**

**Renewable Energy**

**Railways**

**Two Wheelers**

**Three Wheelers**

**Defence**

**Passenger Vehicle**

**Other Allied Industries**

**Aerospace**

**DIE & MOLD**

**Wood Industry**

**Oil & Gas Industry**

**Fasteners Industry**



DIC INDIA

**DEDICATED IMPEX CO.**

---

D - 189, Industrial Focal Point, Patiala,  
147003, Punjab, India

[info@dictoolsindia.com](mailto:info@dictoolsindia.com)

+91-95922-28222 | +91- 0175-2912701

DIC UAE

**DEDICATED IMPEX FZE**

---

B.C. 1303260, Ajman Free Zone,  
P.O. BOX: 47359, Ajman, UAE

[info@dictoolsindia.com](mailto:info@dictoolsindia.com)

(+971) 556721557

**DiC TOOLS**

---

Quality Tooling Solutions